

Model: PRIPORT HP4/HP4P		Date: 7-Jan-04	No: M-C249-001
Modified Article: Parts catalog correction		Prepared by:	
From: Priport Service Planning Section		A. Yoshida	
Classification: <input checked="" type="checkbox"/> Parts catalog correction <input type="checkbox"/> Vendor change <input type="checkbox"/> To meet standards <input type="checkbox"/> To facilitate assembly <input type="checkbox"/> To improve reliability () <input type="checkbox"/> Part standardization <input type="checkbox"/> Other ()			
Model Name:			
HP4: Ricoh JP4500, Gestetner CP6244, RexRotary CP6244, nashuatec CP6244, Savin 3560DNP, Standard SD420, Lanier LDD145 HP4P (China only): Ricoh JP4510P, Gestetner 6254P			

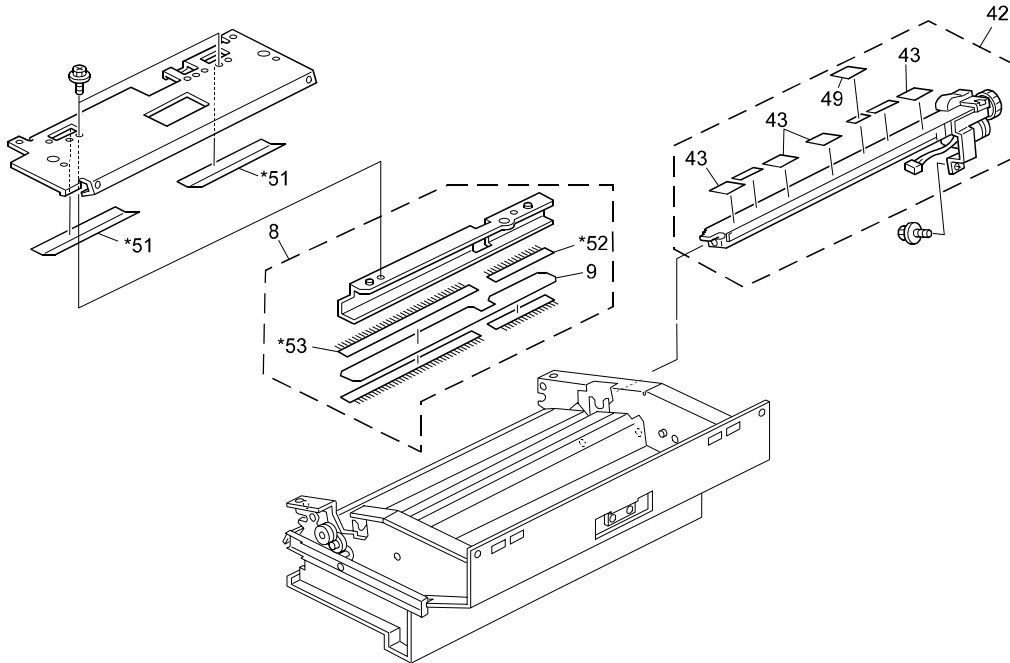
Please make the following corrections to your parts catalogs:

● **P/N Corrections:**

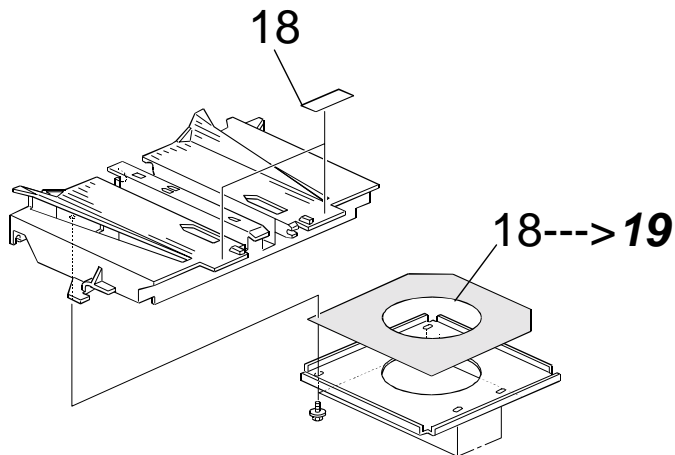
Incorrect part number	Correct part number	Description	Qty	Page	Index
C2492046	C2492051	Guide Plate Assembly	1	25	8
C2492048	C2492050	Guide Sheet	1	25	9
C2492270	C2492070	Cutter Unit Assembly	1	25	42
C2492292	C2492219	Sheet - Cutter Unit	4	25	43
C2492217	C2492218	Plate Guide	1	25	49
-	C2492055	Upper Guide Sheet	2	25	*51
-	C2492233	Antistatic Brush - Short	1	25	*52
-	C2492234	Antistatic Brush - Long	1	25	*53
C2494460	C2494461	Rear Upper Sheet	1	43	42
C2494461	C2494460	Front Upper Sheet	1	43	43
C2494462	C2494463	Rear Fence Guide	1	43	44
C2494463	C2494462	Front Fence Guide	1	43	45
C2493468	C2493449	Upper Eject Roller	1	45	18

*: New index

Illustration for new parts listed above – 9. Plotter Unit 1 (C249)



● **Index Number Correction – 17.Vacuum Fan Unit (C249):**



● **Parts Description Correction:**

Part number	Incorrect Description	Correct Description	Qty	Page	Index
C2383858	Air Reduction Sheet	Air Reduction Sheet (CHN)	1	41	19

Model: PRIPORT HP4/HP4P

Date: 7-Jan-04

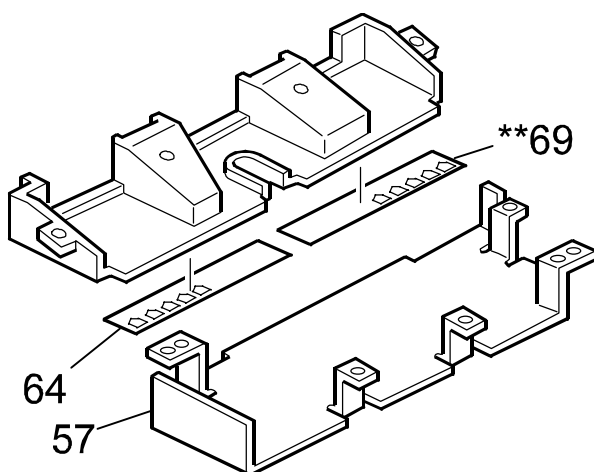
No: M-C249-001

● **Addition - China models only:**

New part number	Description	Qty	Page	Index
C2493401	Master Eject Unit (CHN)	1	45	*
C2494354	Air Knife Cover (CHN)	1	45	57
C2494370	Front Air Knife Guide (CHN)	1	45	64
C2494372	Rear Air Knife Guide (CHN)	1	45	**69

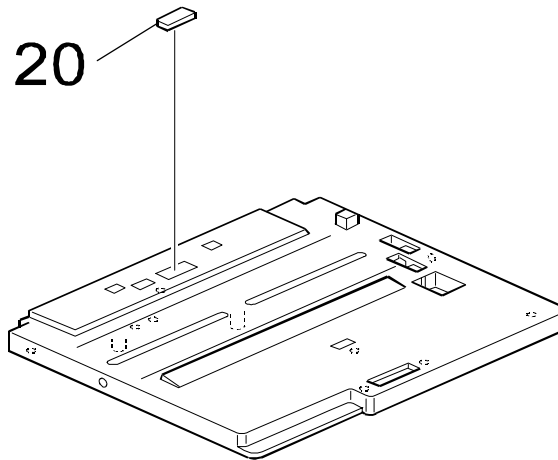
** : New index

Illustration for new parts listed above – 19. Master Eject Unit (C249)



Model: PRIPORT HP4/HP4P		Date: 8-Mar-04	No: M-C249-002
Modified Article: Paper Feed Tray Pad		Prepared by:	
From: Priport Service Planning Section		A. Yoshida	
Classification:	<input type="checkbox"/> Parts catalog correction	<input type="checkbox"/> Vendor change	<input type="checkbox"/> To meet standards
	<input type="checkbox"/> To facilitate assembly	<input checked="" type="checkbox"/> To improve reliability	()
	<input type="checkbox"/> Part standardization	<input type="checkbox"/> Other ()	
Model Name:			
HP4: Ricoh JP4500, Gestetner CP6244, RexRotary CP6244, nashuatec CP6244, Savin 3560DNP, Standard SD420, Lanier LDD145			
HP4P (China only): Ricoh JP4510P, Gestetner 6254P			

The pressure of the pad on the paper feed tray has been decreased in order to feed the paper more smoothly and further ensure paper misfeeds (A jam) do not occur in the paper feed section.



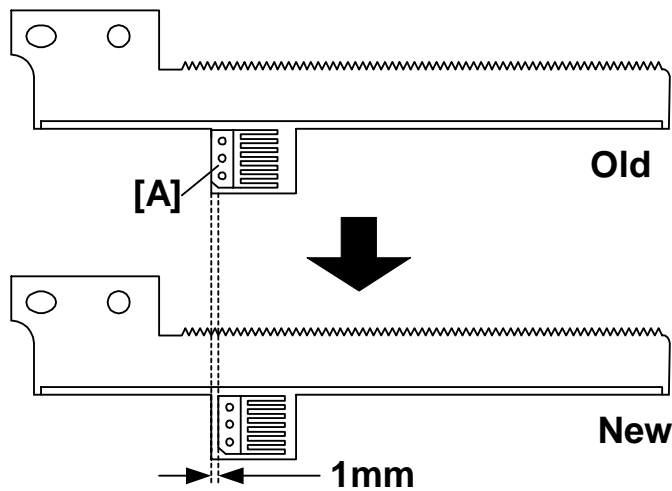
Old #	New #	Description	Qty	Int	Page	Index
C2292840	C2492840	Paper Feed Tray Pad	1	X/O	19	20

Model: PRIPORT HP4/HP4P**Date:** 8-Mar-04**No:** M-C249-002**CUT IN SERIAL NUMBERS**

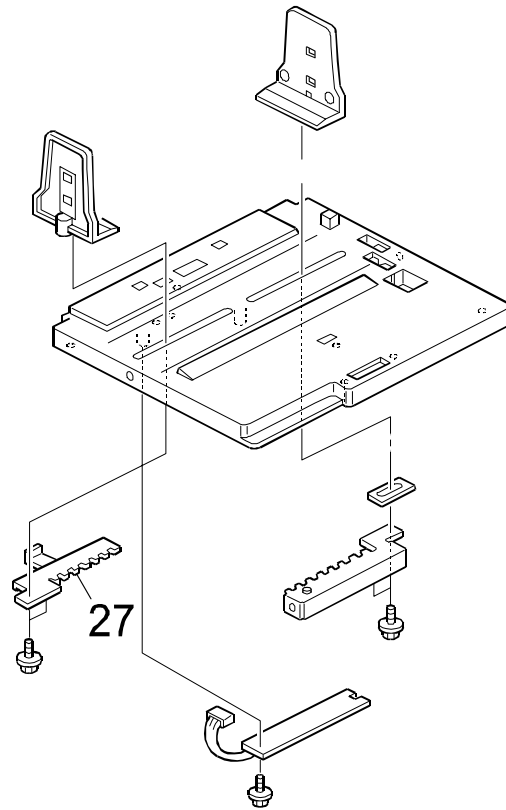
Model Name	V/Hz	Destination	Code	Serial Number
Standard SD420	120/60	USA, Canada	C249-11	F4540200001
Gestetner CP6244, RexRotary CP6244, Nashuatec CP6244	230/50	Europe, Asia, etc.	C249-22	
Ricoh JP4500	230/50	Europe, Asia, etc.	C249-27	
Ricoh JP4500, Gestetner CP6244, Savin 3560DNP Lanier LDD145	120/60	USA, Canada, Latin America	C249-52	
Gestetner 6254P	230/50	China	C249-82	F4940270001
Ricoh JP4510P	230/50	China	C249-96	F5040270001

Model: PRIPORT HP4/HP4P	Date: 9-Mar-04	No: M-C249-003
Modified Article: Front side fence rack	Prepared by:	
From: Priport Service Planning Section	A. Yoshida	
Classification:	<input type="checkbox"/> Parts catalog correction <input type="checkbox"/> Vendor change <input type="checkbox"/> To meet standards <input type="checkbox"/> To facilitate assembly <input checked="" type="checkbox"/> To improve reliability () <input type="checkbox"/> Part standardization <input type="checkbox"/> Other ()	
Model Name:		
HP4: Ricoh JP4500, Gestetner CP6244, RexRotary CP6244, nashuatec CP6244, Savin 3560DNP, Standard SD420, Lanier LDD145 HP4P (China only): Ricoh JP4510P, Gestetner 6254P		

The position of the actuator [A] that attaches to the front side fence rack has been changed to ensure the proper contact with the paper size sensor board and to further ensure proper paper size detection.



Old #	New #	Description	Qty	Int	Page	Index
C2382976	C2492976	Front Side Fence Rack	1	X/O	19	27

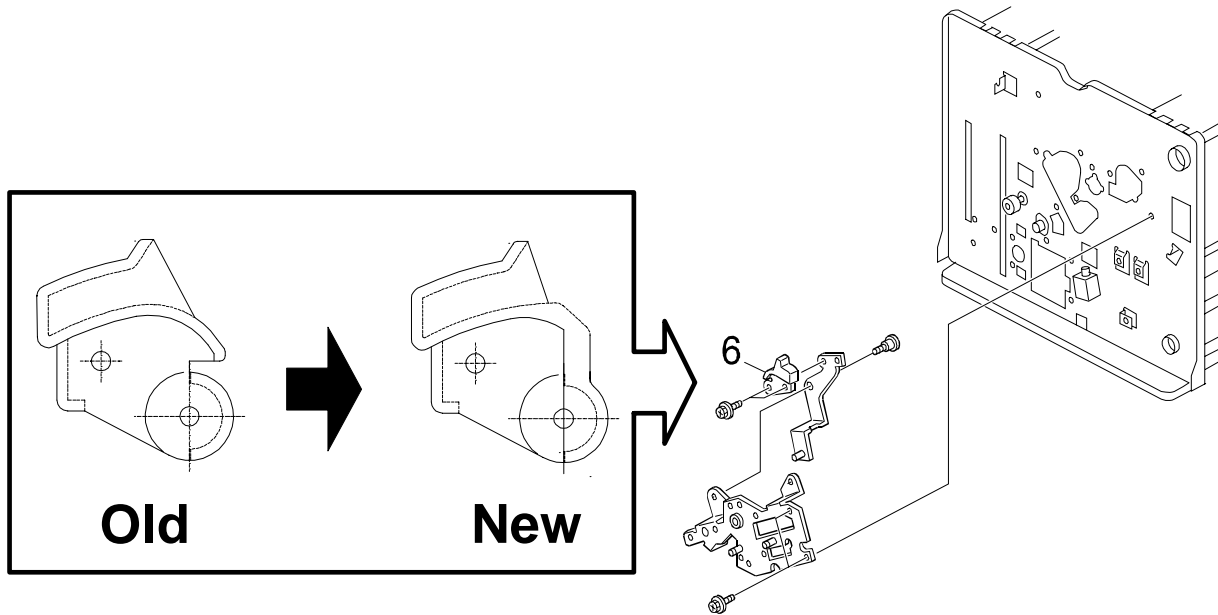
Illustration

Model: PRIPORT HP4/HP4P**Date:** 9-Mar-04**No:** M-C249-003**CUT IN SERIAL NUMBERS**

Model Name	V/Hz	Destination	Code	Serial Number
Standard SD420	120/60	USA, Canada	C249-11	F4540200001
Gestetner CP6244, RexRotary CP6244, Nashuatec CP6244	230/50	Europe, Asia, etc.	C249-22	
Ricoh JP4500	230/50	Europe, Asia, etc.	C249-27	
Ricoh JP4500, Gestetner CP6244, Savin 3560DNP Lanier LDD145	120/60	USA, Canada, Latin America	C249-52	
Gestetner 6254P	230/50	China	C249-82	F4940270001
Ricoh JP4510P	230/50	China	C249-96	F5040270001

Model: PRIPORT HP4/HP4P	Date: 15-Apr-04	No: M-C249-004
Modified Article: Master Clamp Guide	Prepared by:	
From: Priport Service Planning Section	A. Yoshida	
Classification:	<input type="checkbox"/> Parts catalog correction <input type="checkbox"/> Vendor change <input type="checkbox"/> To meet standards <input type="checkbox"/> To facilitate assembly <input checked="" type="checkbox"/> To improve reliability () <input type="checkbox"/> Part standardization <input type="checkbox"/> Other ()	
Model Name:		
HP4: Ricoh JP4500, Gestetner CP6244, RexRotary CP6244, nashuatec CP6244, Savin 3560DNP, Standard SD420, Lanier LDD145 HP4P (China only): Ricoh JP4510P, Gestetner 6254P		

The shape of the master clamp guide has been changed to improve the accuracy of master wrapping (see RTB #C249006 for more details).



Old #	New #	Description	Qty	Int	Page	Index
C2384058	C2494058	Master Clamp Guide	1	X/O	49	6

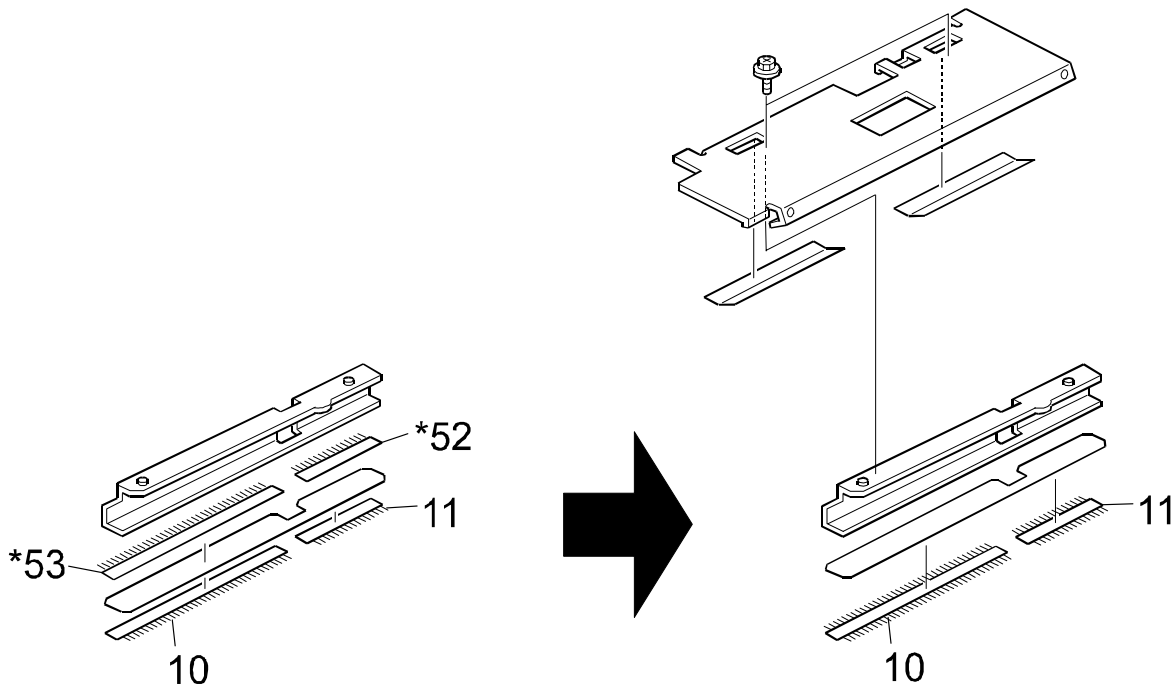
Model: PRIPORT HP4/HP4P**Date:** 15-Apr-04**No:** M-C249-004**CUT IN SERIAL NUMBERS**

Model Name	V/Hz	Destination	Code	Serial Number
Standard SD420	120/60	USA, Canada	C249-11	F4540200001
Gestetner CP6244, RexRotary CP6244, Nashuatec CP6244	230/50	Europe, Asia, etc.	C249-22	
Ricoh JP4500	230/50	Europe, Asia, etc.	C249-27	
Ricoh JP4500, Gestetner CP6244, Savin 3560DNP Lanier LDD145	120/60	USA, Canada, Latin America	C249-52	
Gestetner 6254P	230/50	China	C249-82	F4940370001
Ricoh JP4510P	230/50	China	C249-96	F5040370001

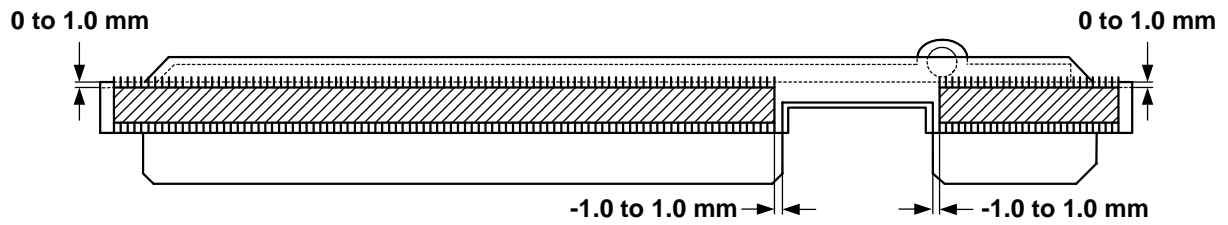
Model: PRIPORT HP4/HP4P		Date: 15-Apr-04	No: M-C249-005
Modified Article: Antistatic Brush		Prepared by:	
From: Priport Service Planning Section		A. Yoshida	
Classification:	<input type="checkbox"/> Parts catalog correction	<input type="checkbox"/> Vendor change	<input type="checkbox"/> To meet standards
	<input checked="" type="checkbox"/> To facilitate assembly	<input type="checkbox"/> To improve reliability	()
	<input type="checkbox"/> Part standardization	<input type="checkbox"/> Other ()	
Model Name:			
HP4: Ricoh JP4500, Gestetner CP6244, RexRotary CP6244, nashuatec CP6244, Savin 3560DNP, Standard SD420, Lanier LDD145			
HP4P (China only): Ricoh JP4510P, Gestetner 6254P			

The portions of the 82mm and 320mm antistatic brushes have been combined into one part (respectively) as shown below in order to facilitate assembly.

Note: Attachment positions are shown on the next page.



Old #	New #	Description	Qty	Int	Page	Index
C2492285	C2492187	Antistatic Brush - 230mm	1	X/O as a set	25	10
C2492286	C2492186	Antistatic Brush - 82mm	1		25	11
C2492233	-	-	1->0		25	*52
C2492234	-	-	1->0		25	*53

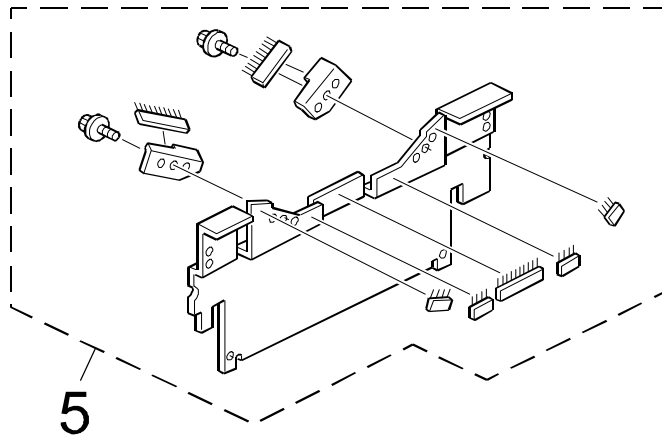
Model: PRIPORT HP4/HP4P**Date:** 15-Apr-04**No:** M-C249-005**Attachment Position for Antistatic Brush**

Model: PRIPORT HP4/HP4P**Date:** 15-Apr-04**No:** M-C249-005**CUT IN SERIAL NUMBERS**

Model Name	V/Hz	Destination	Code	Serial Number
Standard SD420	120/60	USA, Canada	C249-11	F4540100001
Gestetner CP6244, RexRotary CP6244, Nashuatec CP6244	230/50	Europe, Asia, etc.	C249-22	
Ricoh JP4500	230/50	Europe, Asia, etc.	C249-27	
Ricoh JP4500, Gestetner CP6244, Savin 3560DNP Lanier LDD145	120/60	USA, Canada, Latin America	C249-52	
Gestetner 6254P	230/50	China	C249-82	F4940370001
Ricoh JP4510P	230/50	China	C249-96	F5040370001

Model: PRIPORT HP4/HP4P		Date: 15-Apr-04	No: M-C249-006
Modified Article: Paper Delivery Stay		Prepared by:	
From: Priport Service Planning Section		A. Yoshida	
Classification: <input type="checkbox"/> Parts catalog correction <input type="checkbox"/> Vendor change <input type="checkbox"/> To meet standards <input type="checkbox"/> To facilitate assembly <input type="checkbox"/> To improve reliability () <input checked="" type="checkbox"/> Part standardization <input type="checkbox"/> Other ()			
Model Name:			
HP4: Ricoh JP4500, Gestetner CP6244, RexRotary CP6244, nashuatec CP6244, Savin 3560DNP, Standard SD420, Lanier LDD145 HP4P (China only): Ricoh JP4510P, Gestetner 6254P			

The following has been changed due to parts standardization with the new model.



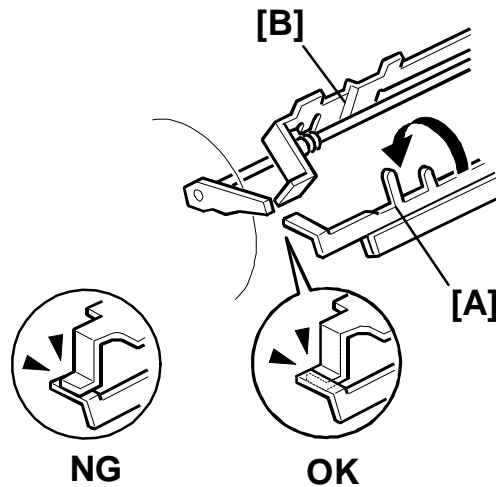
Old #	New #	Description	Qty	Int	Page	Index
C2383801	C2503801	Paper Delivery Stay	1	O/O	57	5

Reissued: 1-Sep-04
MB Correction

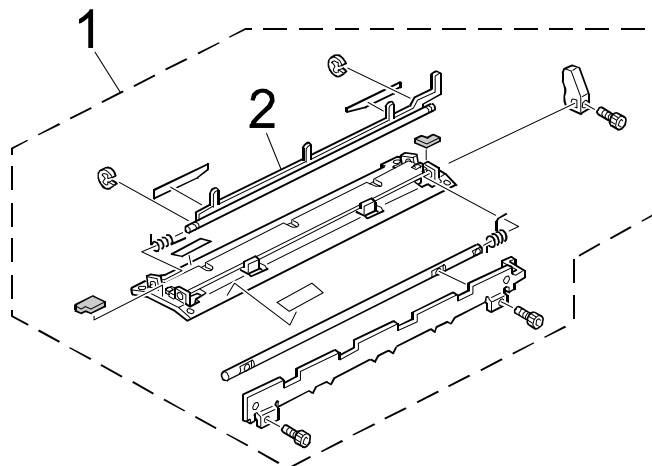
The illustration has changed as shown below.

Model: PRIPORT HP4/HP4P	Date: 10-May-04	No: M-C249-007a
Modified Article: Clamper Assembly	Prepared by:	
From: Priport Service Planning Section	A. Yoshida	
Classification:	<input type="checkbox"/> Parts catalog correction <input type="checkbox"/> Vendor change <input type="checkbox"/> To meet standards <input type="checkbox"/> To facilitate assembly <input checked="" type="checkbox"/> To improve reliability () <input type="checkbox"/> Part standardization <input type="checkbox"/> Other ()	
Model Name:		
HP4: Ricoh JP4500, Gestetner CP6244, RexRotary CP6244, nashuatec CP6244, Savin 3560DNP, Standard SD420, Lanier LDD145 HP4P (China only): Ricoh JP4510P, Gestetner 6254P		

The shape of the clamper exit pawls [A] has been changed to prevent reversal of the master clamper [B] (for details, see RTB #RC249007).



Illustration



Reissued: 1-Sep-04

Model: PRIPORT HP4/HP4P	Date: 10-May-04	No: M-C249-007a
--------------------------------	------------------------	------------------------

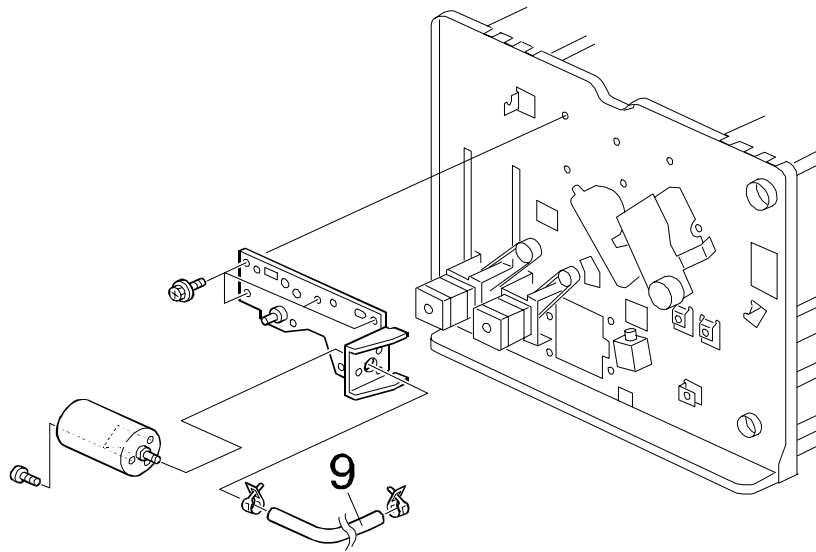
Old #	New #	Description	Qty	Int	Page	Index
C2492305	C2492309	Clamper Assembly	1	X/O	37	1
C2492407	C2502407	Clamper Exit Pawls	1	X/O	37	2

CUT IN SERIAL NUMBERS

Model Name	V/Hz	Destination	Code	Serial Number
Standard SD420	120/60	USA, Canada	C249-11	F4540200001
Gestetner CP6244, RexRotary CP6244, Nashuatec CP6244	230/50	Europe, Asia, etc.	C249-22	
Ricoh JP4500	230/50	Europe, Asia, etc.	C249-27	
Ricoh JP4500, Gestetner CP6244, Savin 3560DNP Lanier LDD145	120/60	USA, Canada, Latin America	C249-52	
Gestetner 6254P	230/50	China	C249-82	F4940370001
Ricoh JP4510P	230/50	China	C249-96	F5040370001

Model: PRIPORT HP4/HP4P	Date: 1-Jun-04	No: M-C249-008
Modified Article: Exit Pawl Hose	Prepared by:	
From: Priport Service Planning Section	A. Yoshida	
Classification:	<input type="checkbox"/> Parts catalog correction <input checked="" type="checkbox"/> Vendor change <input type="checkbox"/> To meet standards <input type="checkbox"/> To facilitate assembly <input type="checkbox"/> To improve reliability () <input type="checkbox"/> Part standardization <input type="checkbox"/> Other ()	
Model Name:		
HP4: Ricoh JP4500, Gestetner CP6244, RexRotary CP6244, nashuatec CP6244, Savin 3560DNP, Standard SD420, Lanier LDD145 HP4P (China only): Ricoh JP4510P, Gestetner 6254P		

The following has been changed due to a vender change.

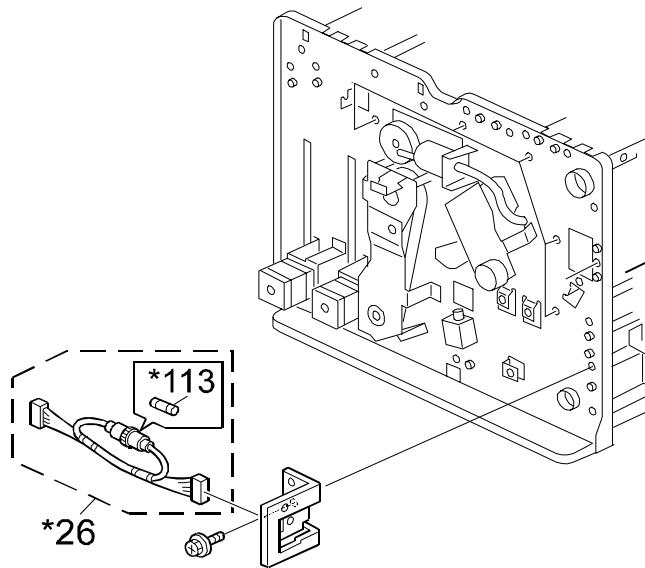


Old #	New #	Description	Qty	Int	Page	Index
C2384369	C2494369	Exit Pawl Hose	1	O/O	47	9

Model: PRIPORT HP4/HP4P	Date: 1-Jun-04	No: M-C249-009
Modified Article: Relay Harness	Prepared by:	
From: Priport Service Planning Section	A. Yoshida	
Classification:	<input type="checkbox"/> Parts catalog correction <input type="checkbox"/> Vendor change <input type="checkbox"/> To meet standards <input type="checkbox"/> To facilitate assembly <input checked="" type="checkbox"/> To improve reliability () <input type="checkbox"/> Part standardization <input type="checkbox"/> Other ()	
Model Name:		
HP4:	Ricoh JP4500, Gestetner CP6244, RexRotary CP6244, nashuatec CP6244, Savin 3560DNP, Standard SD420, Lanier LDD145	
HP4P (China only):	Ricoh JP4510P, Gestetner 6254P	

The following have been newly added to further protect the MPU board from unexpected electric surges.

NOTE: Be sure to attach the relay harness when installing the Tape Marker option (the Installation Procedure is on the next page).

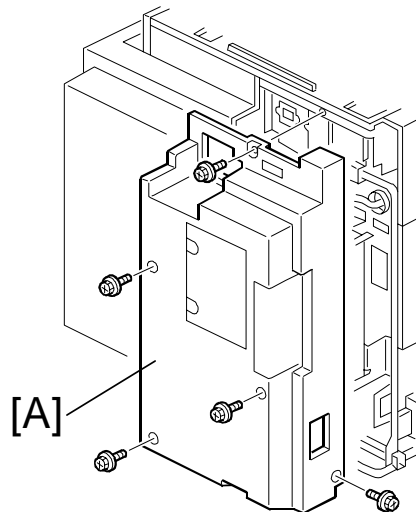


Old #	New #	Description	Qty	Int	Page	Index
	C2565250	Relay Harness	1	-	51	*26
	11070391	Fuse - 5A, 125V	1	-	51	*113

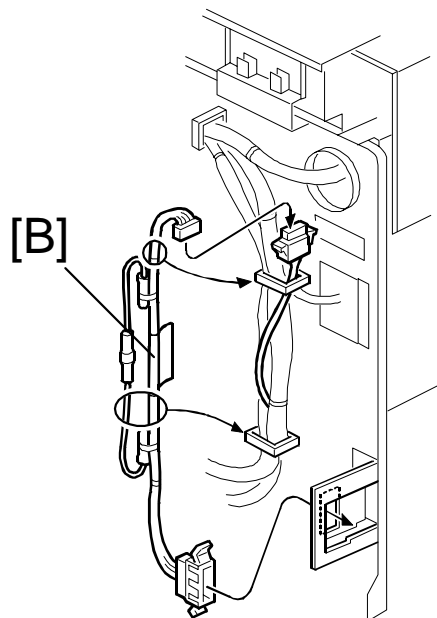
*: New index

Installation Procedure

1. Turn off the main switch and disconnect the power plug.
2. Remove the rear cover [A] (⌀ x 5).



3. Install the relay harness [B] (2 clamps).



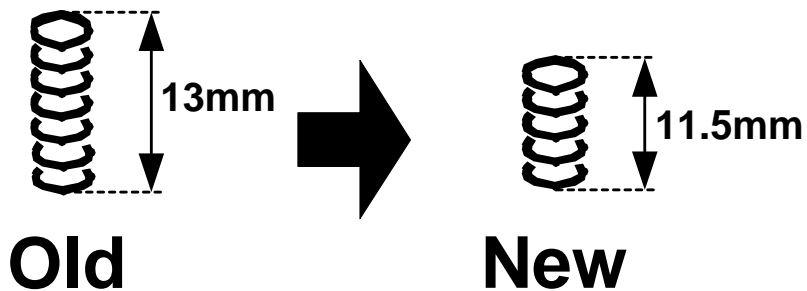
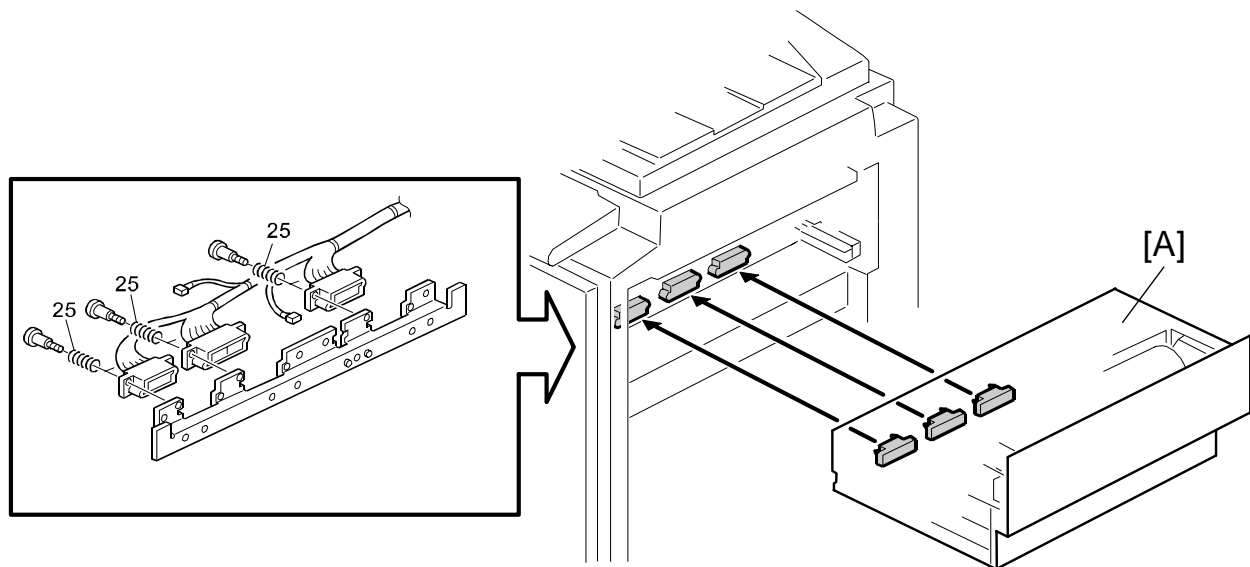
4. Reattach the rear cover [A] (⌀ x 5).

Model: PRIPORT HP4/HP4P**Date:** 1-Jun-04**No:** M-C249-009**CUT IN SERIAL NUMBERS**

Model Name	V/Hz	Destination	Code	Serial Number
Standard SD420	120/60	USA, Canada	C249-11	F4540400001
Gestetner CP6244, RexRotary CP6244, Nashuatec CP6244	230/50	Europe, Asia, etc.	C249-22	
Ricoh JP4500	230/50	Europe, Asia, etc.	C249-27	
Ricoh JP4500, Gestetner CP6244, Savin 3560DNP Lanier LDD145	120/60	USA, Canada, Latin America	C249-52	
Gestetner 6254P	230/50	China	C249-82	F4940670001
Ricoh JP4510P	230/50	China	C249-96	F5040670001

Model: PRIPORT HP4/HP4P	Date: 4-Aug-04	No: M-C249-010
Modified Article: Connector Spring	Prepared by:	
From: Priport Service Planning Section	A. Yoshida	
Classification:	<input type="checkbox"/> Parts catalog correction <input type="checkbox"/> Vendor change <input type="checkbox"/> To meet standards <input type="checkbox"/> To facilitate assembly <input checked="" type="checkbox"/> To improve reliability () <input type="checkbox"/> Part standardization <input type="checkbox"/> Other ()	
Model Name:		
HP4: Ricoh JP4500, Gestetner CP6244, RexRotary CP6244, nashuatec CP6244, Savin 3560DNP, Standard SD420, Lanier LDD145 HP4P (China only): Ricoh JP4510P, Gestetner 6254P		

The pressure of the connector spring has been increased to make sure that the master making unit [A] stays properly fixed in place and to further make sure that E-40 (Thermal Head ID Error) and white banding do not occur.



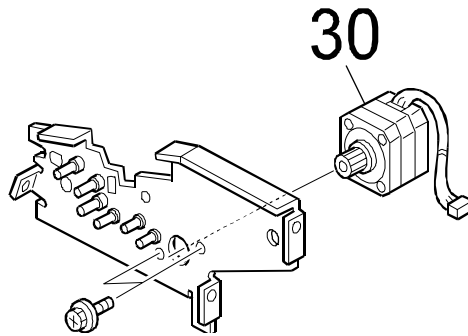
Old #	New #	Description	Qty	Int	Page	Index
AA063163	C2492994	Connector Spring	6	X/O	23	25

Model: PRIPORT HP4/HP4P**Date:** 4-Aug-04**No:** M-C249-010**CUT IN SERIAL NUMBERS**

Model Name	V/Hz	Destination	Code	Serial Number
Standard SD420	120/60	USA, Canada	C249-11	F4540700001
Gestetner CP6244, RexRotary CP6244, Nashuatec CP6244	230/50	Europe, Asia, etc.	C249-22	F4540500034
Ricoh JP4500	230/50	Europe, Asia, etc.	C249-27	F4540500045
Ricoh JP4500, Gestetner CP6244, Savin 3560DNP Lanier LDD145	120/60	USA, Canada, Latin America	C249-52	F4540600001
Gestetner 6254P	230/50	China	C249-82	F4940770001
Ricoh JP4510P	230/50	China	C249-96	F5040770001

Model: PRIPORT HP4/HP4P		Date: 12-Oct-04	No: M-C249-011
Modified Article: Master Feed Motor		Prepared by:	
From: Priport Service Planning Section		A. Yoshida	
Classification:	<input type="checkbox"/> Parts catalog correction	<input type="checkbox"/> Vendor change	<input type="checkbox"/> To meet standards
	<input type="checkbox"/> To facilitate assembly	<input checked="" type="checkbox"/> To improve reliability	()
	<input type="checkbox"/> Part standardization	<input type="checkbox"/> Other ()	
Model Name:			
HP4:	Ricoh JP4500, Gestetner CP6244, RexRotary CP6244, nashuatec CP6244, Savin 3560DNP, Standard SD420, Lanier LDD145		
HP4P (China only):	Ricoh JP4510P, Gestetner 6254P		

The rotational power of the master feed motor has been increased to further ensure proper master feeding (see RTB #RC249010 for more details).



Old #	New #	Description	Qty	Int	Page	Index
C2385841	C2495841	Stepper Motor	1	X/O	27	30

Model: PRIPORT HP4/HP4P**Date:** 12-Oct-04**No:** M-C249-011**CUT IN SERIAL NUMBERS**

Model Name	V/Hz	Destination	Code	Serial Number
Standard SD420	120/60	USA, Canada	C249-11	F4540800001
Gestetner CP6244, RexRotary CP6244, Nashuatec CP6244	230/50	Europe, Asia, etc.	C249-22	
Ricoh JP4500	230/50	Europe, Asia, etc.	C249-27	
Ricoh JP4500, Gestetner CP6244, Savin 3560DNP Lanier LDD145	120/60	USA, Canada, Latin America	C249-52	
Gestetner 6254P	230/50	China	C249-82	F4941070001
Ricoh JP4510P	230/50	China	C249-96	F5041070001

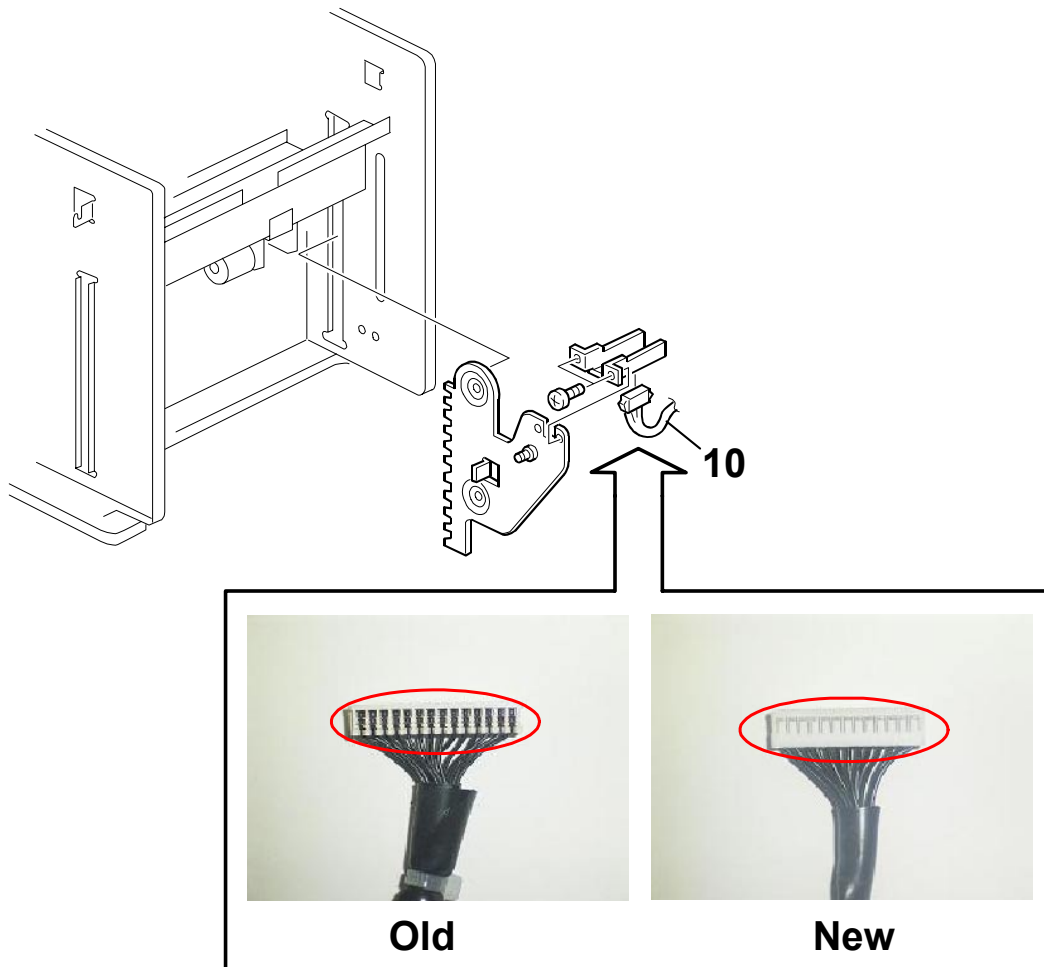
Model: PRIPORT HP4/HP4P	Date: 20-Jan-05	No: M-C249-012
Modified Article: Paper Tray Relay Harness	Prepared by:	
From: Priport Service Planning Section	A. Yoshida	
Classification:	<input type="checkbox"/> Parts catalog correction <input type="checkbox"/> Vendor change <input type="checkbox"/> To meet standards <input type="checkbox"/> To facilitate assembly <input checked="" type="checkbox"/> To improve reliability () <input type="checkbox"/> Part standardization <input type="checkbox"/> Other ()	
Model Name:		
HP4: Ricoh JP4500, Gestetner CP6244, RexRotary CP6244, nashuatec CP6244, Savin 3560DNP, Standard SD420, Lanier LDD145 HP4P (China only): Ricoh JP4510P, Gestetner 6254P		

Change: The shape of the paper tray relay harness was changed.

Reason: To make sure the harness stays connected to CN420.

Note: See RTB #RC249012 for details.

Old #	New #	Description	Qty	Int	Page	Index
C2495237	C2565237	Paper Tray Relay Harness	1	X/O	19	10



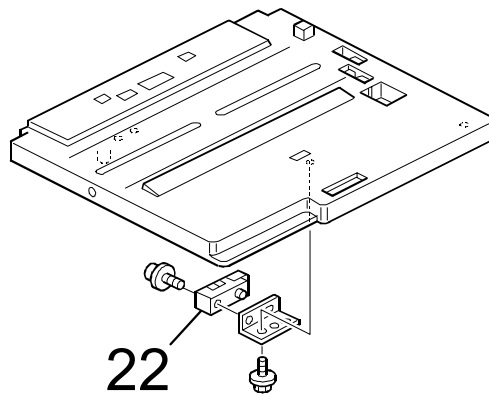
Model: PRIPORT HP4/HP4P**Date:** 20-Jan-05**No:** M-C249-012**CUT IN SERIAL NUMBERS**

Model Name	V/Hz	Destination	Code	Serial Number
Standard SD420	120/60	USA, Canada	C249-11	F4541000001
Gestetner CP6244, RexRotary CP6244, Nashuatec CP6244	230/50	Europe, Asia, etc.	C249-22	
Ricoh JP4500	230/50	Europe, Asia, etc.	C249-27	
Ricoh JP4500, Gestetner CP6244, Savin 3560DNP Lanier LDD145	120/60	USA, Canada, Latin America	C249-52	
Gestetner 6254P	230/50	China	C249-82	F4940970001
Ricoh JP4510P	230/50	China	C249-96	F5040970001

Model: PRIPORT HP4/HP4P	Date:	No: M-C249-013
Modified Article: Paper length sensor	Prepared by:	
From: Priport Service Planning Section	A. Yoshida	
Classification:	<input type="checkbox"/> Parts catalog correction <input checked="" type="checkbox"/> Vendor change <input type="checkbox"/> To meet standards <input type="checkbox"/> To facilitate assembly <input type="checkbox"/> To improve reliability () <input type="checkbox"/> Part standardization <input type="checkbox"/> Other ()	
Model Name:		
HP4: Ricoh JP4500, Gestetner CP6244, RexRotary CP6244, nashuatec CP6244, Savin 3560DNP, Standard SD420, Lanier LDD145 HP4P (China only): Ricoh JP4510P, Gestetner 6254P		

Due to a change in vender, the following has been changed.

Old #	New #	Description	Qty	Int	Page	Index
AW010087	AW010112	Photo Reflection Sensor : Original TA	1	O/O	19	22



Model: PRIPORT HP4/HP4P	Date: 3-Feb-05	No: M-C249-014
Modified Article: Sensor Bracket, Drum Position Plate	Prepared by:	
From: Priport Service Planning Section	A. Yoshida	
Classification:	<input type="checkbox"/> Parts catalog correction <input type="checkbox"/> Vendor change <input type="checkbox"/> To meet standards <input type="checkbox"/> To facilitate assembly <input checked="" type="checkbox"/> To improve reliability () <input type="checkbox"/> Part standardization <input type="checkbox"/> Other ()	
Model Name:		
HP4: Ricoh JP4500, Gestetner CP6244, RexRotary CP6244, nashuatec CP6244, Savin 3560DNP, Standard SD420, Lanier LDD145 HP4P (China only): Ricoh JP4510P, Gestetner 6254P		

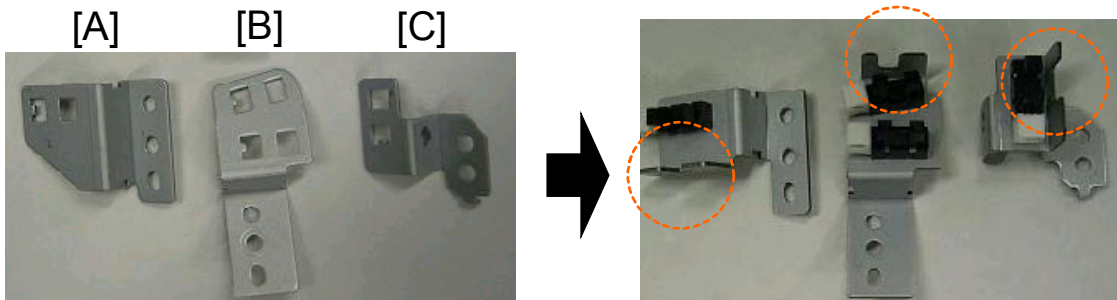
Change: Shape change: 2nd feed timing sensor bracket [A], paper exit timing sensor/master eject position (Drum HP) sensor bracket [B], feed start timing sensor bracket [C], drum position plate [D].

Reason: To make sure the sensors stay attached to the sensor brackets.

Note: See RTB #RC249013 for details.

Old #	New #	Description	Qty	Int	Page	Index
C2385613	C2565613	Drum Sensor Bracket3	1	X/O as a set	31	8
C2385609	C2565609	Drum Sensor Bracket2	1		31	11
C2385611	C2565611	Drum Sensor Bracket1	1		31	20
C2382375	C2562375	Drum Position Plate – Large	1		37	15

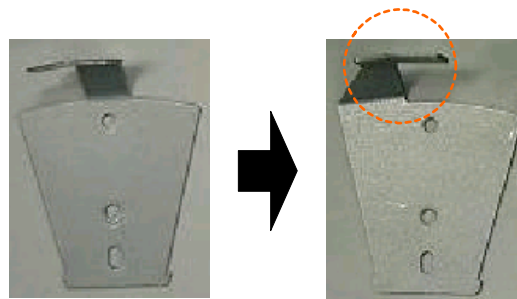
Sensor Brackets [A] [B] [C]:



Old

New

Drum Position Plate [D]:



Old

New

Model: PRIPORT HP4/HP4P**Date:** 3-Feb-05**No:** M-C249-014**CUT IN SERIAL NUMBERS**

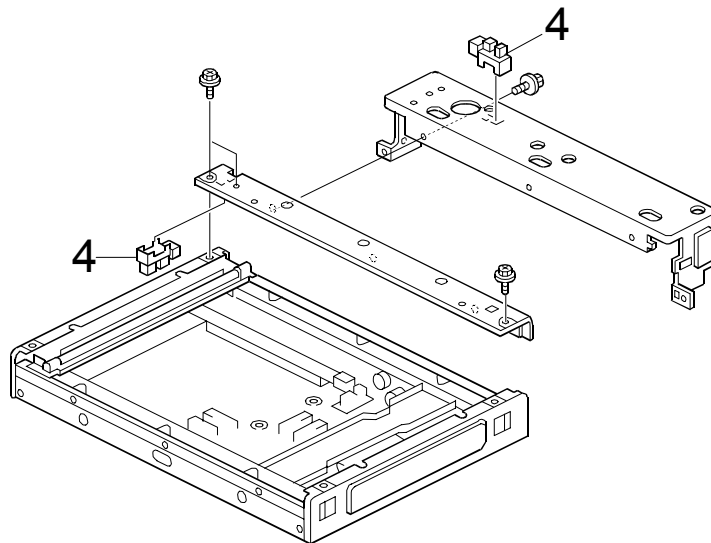
Model Name	V/Hz	Destination	Code	Serial Number
Standard SD420	120/60	USA, Canada	C249-11	F4550100001
Gestetner CP6244, RexRotary CP6244, Nashuatec CP6244	230/50	Europe, Asia, etc.	C249-22	
Ricoh JP4500	230/50	Europe, Asia, etc.	C249-27	
Ricoh JP4500, Gestetner CP6244, Savin 3560DNP Lanier LDD145	120/60	USA, Canada, Latin America	C249-52	
Gestetner 6254P	230/50	China	C249-82	F4950170001
Ricoh JP4510P	230/50	China	C249-96	F5050170001

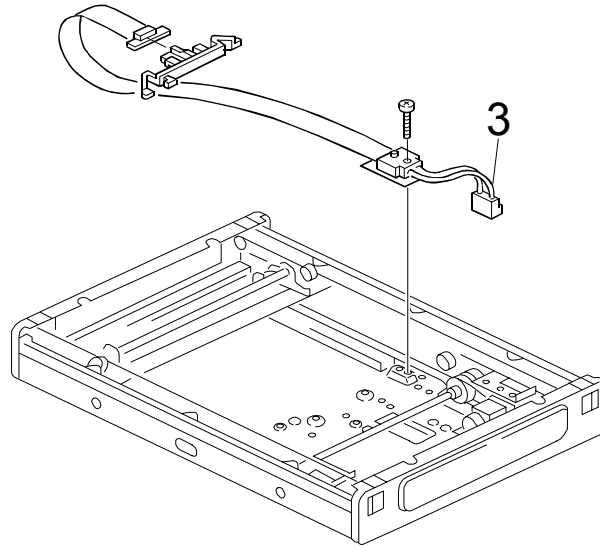
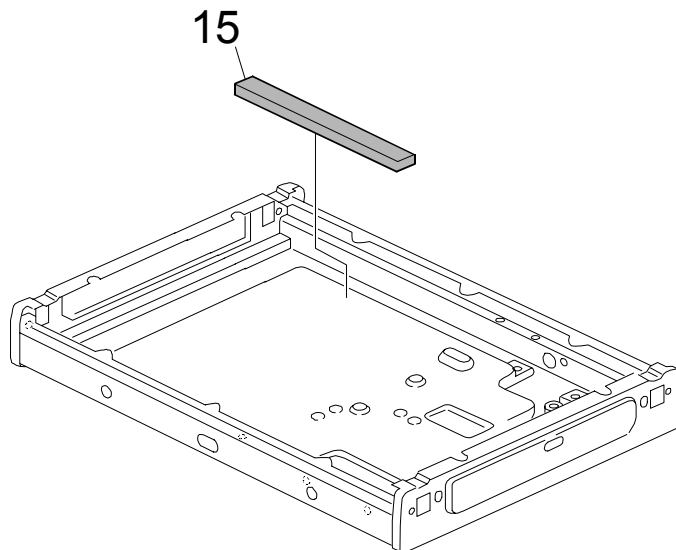
Model: PRIPORT HP4/HP4P		Date: 25-Mar-05	No: M-C249-015
Modified Article: Part standardization		Prepared by:	
From: Priport Service Planning Section		A. Yoshida	
Classification: <input type="checkbox"/> Parts catalog correction <input type="checkbox"/> Vendor change <input type="checkbox"/> To meet standards <input type="checkbox"/> To facilitate assembly <input type="checkbox"/> To improve reliability () <input checked="" type="checkbox"/> Part standardization <input type="checkbox"/> Other ()			
Model Name:			
HP4: Ricoh JP4500, Gestetner CP6244, RexRotary CP6244, nashuatec CP6244, Savin 3560DNP, Standard SD420, Lanier LDD145 HP4P (China only): Ricoh JP4510P, Gestetner 6254P			

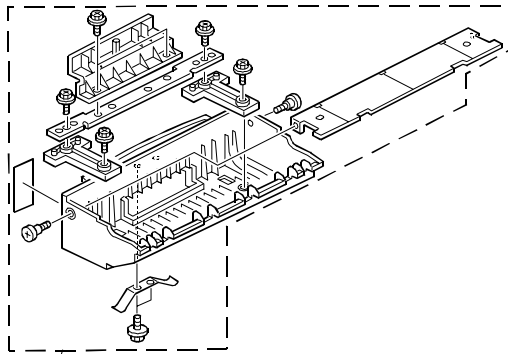
Old #	New #	Description	Qty	Int	Page	Index
AW020086	AW020156	Photointerruptor:EE-SX4235A-P2	2	O/O	13	4
A2675703	C2575135	Flexible Cable Assembly	1	O/O	15	3
A2671816	C2591816	Guide:Elexible Board	1	O/O	17	15
C2493490	C2493486	Eject Box Assembly	1	O/O	45	4

Change/Reason: Parts standardization with new model.

3. Scanner Unit 1 (C249) Page 13:



4. Scanner Unit 2 (C249) Page 15:**5. Scanner Unit 3 (C249) Page 17:**

Model: PRIPORT HP4/HP4P**Date:** 25-Mar-05**No:** M-C249-015**19. Master Eject Unit (C249) Page 45:****4**

Model: PRIPORT HP4/HP4P		Date: 12-Aug-05	No: M-C249-016
Modified Article: Paper Delivery Unit, Master Eject Unit		Prepared by:	
From: Priport Service Planning Section		A. Yoshida	
Classification: <input type="checkbox"/> Parts catalog correction <input type="checkbox"/> Vendor change <input type="checkbox"/> To meet standards <input type="checkbox"/> To facilitate assembly <input checked="" type="checkbox"/> To improve reliability () <input type="checkbox"/> Part standardization <input type="checkbox"/> Other ()			
Model Name: HP4: Ricoh JP4500, Gestetner CP6244, RexRotary CP6244, nashuatec CP6244, Savin 3560DNP, Standard SD420, Lanier LDD145 HP4P (China only): Ricoh JP4510P, Gestetner 6254P			

Change: Shape of the air knife fan [A], fan bracket [B], transport belt [C], air knife duct [D].

Reason: To ensure that C-jams (paper delivery jams) do not occur when many sheets are printed out continuously.

Note: For machines that were produced before the cut-in serial numbers below:

- 1) Replace the parts with the modified ones listed in this MB, **OR**
- 2) Install the metal wing set (P/N: C2389002) shown in **RTB #RC249015**.

China models (C249-82, 96):

Old #	New #	Description	Qty	Int	Page	Index
C2383803	C2493805	Paper delivery unit	1	X/O as a set	41	*
C2494350	C2494351	Air Knife Duct	1		45	23
C2494370	-	Front Air Knife Guide (CHN)	1->0		45	64
C2494372	-	Rear Air Knife Guide (CHN)	1->0		45	**69
or						
C2493874	C2493875	Transport belt - 478	2	X/O as a set	41	3
C2383852	C2493852	Fan bracket	1		41	10
C2315880	C2495880	Air knife fan	1		41	11
C2383858	-	Air reduction sheet	1->0		41	19
-	03540300B	Screw - M3x30	2		41	103
04514014B	-	Tapping Screw - M4x14	3->0		41	103
C2494350	C2494351	Air Knife Duct	1		45	23
C2494370	-	Front Air Knife Guide (CHN)	1->0		45	64
C2494372	-	Rear Air Knife Guide (CHN)	1->0		45	**69

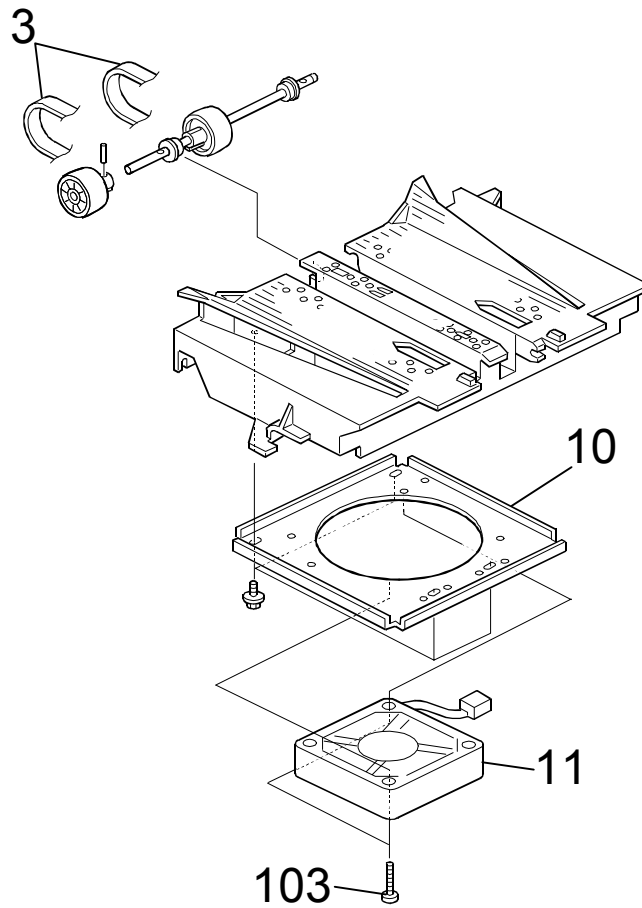
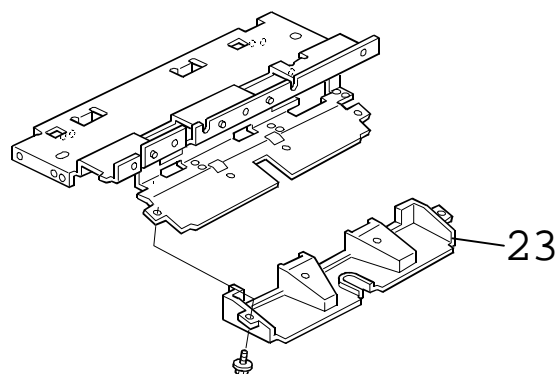
Model: PRIPORT HP4/HP4P	Date: 12-Aug-05	No: M-C249-016
--------------------------------	------------------------	-----------------------

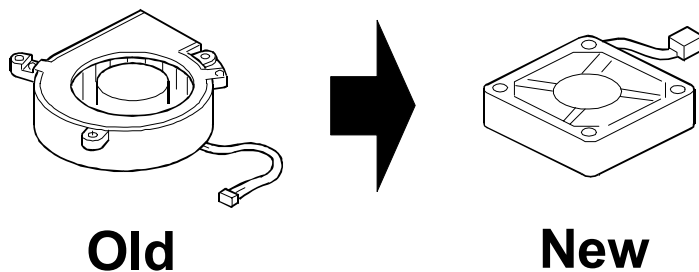
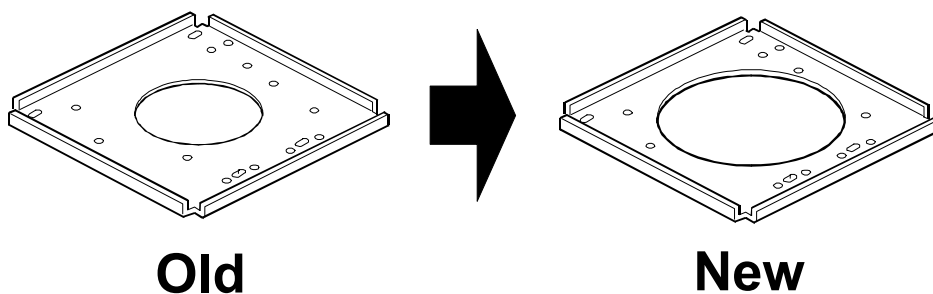
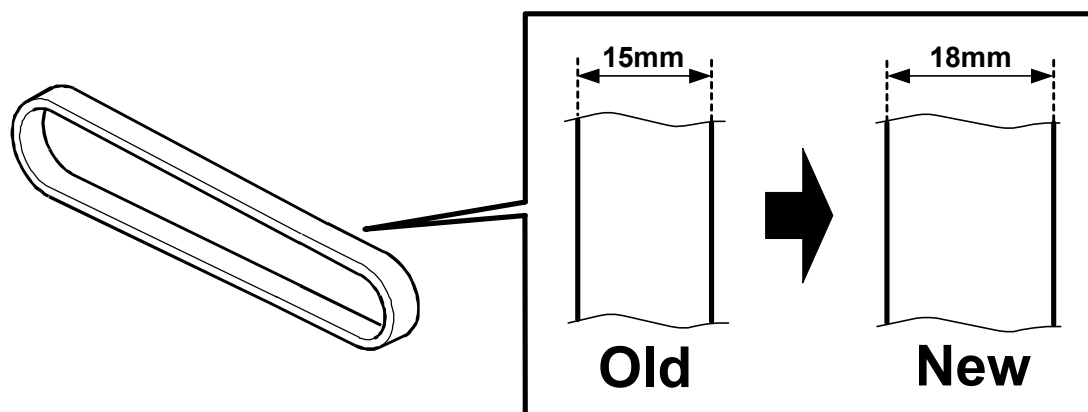
All Other Models (C249-11, 22, 27, 52):

Old #	New #	Description	Qty	Int	Page	Index
C2493800	C2493805	Paper delivery unit	1	X/O as a set	41	*
C2493400	C2493403	Master Eject Unit	1		45	*
or						
C2493800	C2493805	Paper delivery unit	1	X/O as a set	41	*
C2494350	C2494351	Air Knife Duct	1		45	23
C2494360	-	Air Knife Guide	2->0		45	64
or						
C2493874	C2493875	Transport belt - 478	2	X/O as a set	41	3
C2383852	C2493852	Fan bracket	1		41	10
C2315880	C2495880	Air knife fan	1		41	11
-	03540300B	Screw - M3x30	2		41	103
04514014B	-	Tapping Screw - M4x14	3->0		41	103
C2493400	C2493403	Master Eject Unit	1		45	*
or						
C2493874	C2493875	Transport belt - 478	2	X/O as a set	41	3
C2383852	C2493852	Fan bracket	1		41	10
C2315880	C2495880	Air knife fan	1		41	11
-	03540300B	Screw - M3x30	2		41	103
04514014B	-	Tapping Screw - M4x14	3->0		41	103
C2494350	C2494351	Air Knife Duct	1		45	23
C2494360	-	Air Knife Guide	2->0		45	64

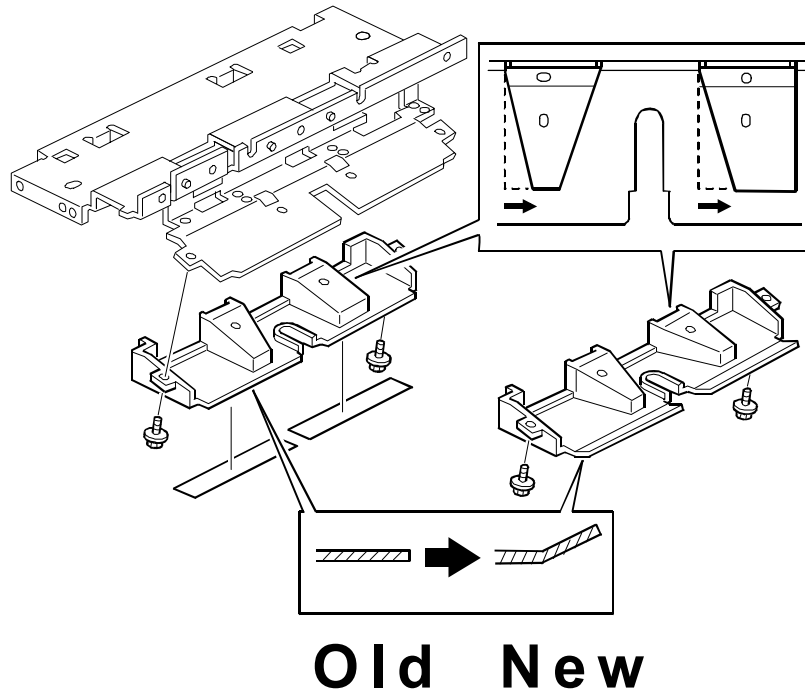
PM Parts Index

Old #	New #	Section Name	Description in Parts Catalog	Q'ty Per Assembly	Page and Index No.
C2493874	C2493875	Vacuum Fan Unit (C249)	Transport belt - 478	2	41-3

Illustration - 17. Vacuum Fan Unit:**Illustration - 19. Master Eject Unit:**

Model: PRIPORT HP4/HP4P**Date:** 12-Aug-05**No:** M-C249-016**Air Knife Fan [A]:****Fan Bracket [B]:****Transport Belt [C]:**

Air Knife Duct [D]:



Model: PRIPORT HP4/HP4P**Date:** 12-Aug-05**No:** M-C249-016**CUT IN SERIAL NUMBERS**

Model Name	V/Hz	Destination	Code	Serial Number
Standard SD420	120/60	USA, Canada	C249-11	F4550300001
Gestetner CP6244, RexRotary CP6244, Nashuatec CP6244	230/50	Europe, Asia, etc.	C249-22	
Ricoh JP4500	230/50	Europe, Asia, etc.	C249-27	
Ricoh JP4500, Gestetner CP6244, Savin 3560DNP Lanier LDD145	120/60	USA, Canada, Latin America	C249-52	
Gestetner 6254P	230/50	China	C249-82	F4950470001
Ricoh JP4510P	230/50	China	C249-96	F5050370001

Model: PRIPORT HP4/HP4P		Date: 5-Sep-05	No: M-C249-017
Modified Article: Parts catalog correction		Prepared by:	
From: Priport Service Planning Section		A. Yoshida	
Classification: <input checked="" type="checkbox"/> Parts catalog correction <input type="checkbox"/> Vendor change <input type="checkbox"/> To meet standards <input type="checkbox"/> To facilitate assembly <input type="checkbox"/> To improve reliability () <input type="checkbox"/> Part standardization <input type="checkbox"/> Other ()			
Model Name: HP4: Ricoh JP4500, Gestetner CP6244, RexRotary CP6244, nashuatec CP6244, Savin 3560DNP, Standard SD420, Lanier LDD145 HP4P (China only): Ricoh JP4510P, Gestetner 6254P			

Incorrect Part Number	Correct Part Number	Description	Qty	Page	Index
C2495220	C2385220	Scanner Harness	1	15	10

Old Part Number	New Part Number	Description	Qty	Page	Index
C2495193	-	Center Panel Board	1	11	29
-	C2495182	PCB : HQPG : Operation Sub-unit : Middle	1	11	*33

*: New index

Change/Reason: The Parts Catalog was corrected as shown in the tables above.

